



professional printing solutions

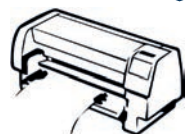


PSi Matrix Drucker Optionen and Interfaces

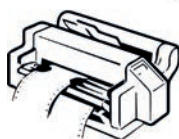


PSi Matrix Printer Family

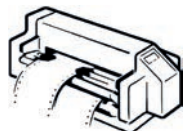
Super fast
high-performance printers



PP 809 ...the super fast

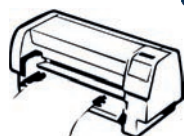


PP 408 ...the cutting fast

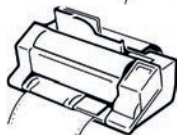


PP 407 ...the cost fast

Professional
matrix printers



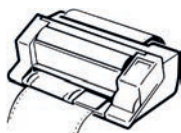
PP 806 ...the multifunctional width



PP 405 ...the multifunctional



PP 803 ...the Compact



PP 404 ...the high-performance printer



PP 205 ...the compact Economic



PP 204 ...the compact



PR9 ...the Intelligent

INTRODUCTION

The professional PSi printer families PP 40x and PP 80x are based on a matured and green technology and convince by a long terms reliability.

They fulfill a broad range of specific application requirements and are the most cost effective and flexible printers available in the market.

This catalogue contains an overview of the various options and system interfaces (PM) for the PSi matrix printer families PP 40x and PP 80x. All these options and PMs allow to use PSi matrix printers in different applications and host environments under optimum conditions in terms of user-friendliness and optimal system integration.

PRINTER OPTION

Not only within printers, but also outside the guiding of paper is an important aspect for the reliable printing task. A correct feeding of single sheets, continuous paper or multi-layer-form-sets is important for the best print quality result. Just as important is a proper way to stack the printed pages. Adequate paper trays may lead to overall best print results.

With an optional stand PSi matrix printers offer the guarantee of a reliable location and proper functionality of paper management. All integrated paper paths allow the best possible transport of the paper. Without operator intervention paper paths can be changed. Several output options are available to deposit fanfold or cut sheet paper. Specific designed shelves or output trays are supported, so that even heavy form sets are stored properly. Depending on the choice and type of printer this either can be done to the front or to the rear. For the proper storage of continuous paper an optional stacker is available, guaranteeing continuous paper is stores correctly folded.

COMPLETE PRINTER SOLUTIONS FOR PROFESSIONAL USE.

In combination with optional paper feed and paper tray systems, users get individual and specially tailored printing solutions. That ensure smooth running of various printing jobs.

These include:

- Printer specific paper feeding mechanisms
- Paper output systems optimized for specific applications
- Robust printer stands for secure mounting and ergonomic operation
- Paper cut functions to separate print jobs or print portions
- Interface modules for connections to almost every host system
- Compatible printer emulations supplementing or exchanging existing printer environments

PRINTER STANDS

PSi Matrix has a new printer stand concept consisting of a PRINTER STAND BASE FRAME and the respective PRINTER STAND BOARD for PP 404/5/7/8 und PP 806/9



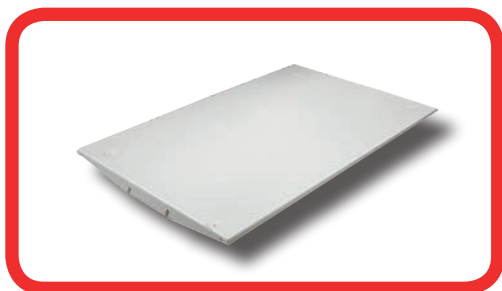
Dimensions:

H = 740 mm

W = 650 mm

D = 450 mm

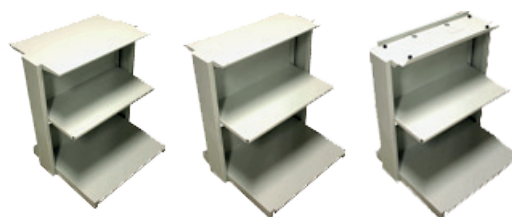
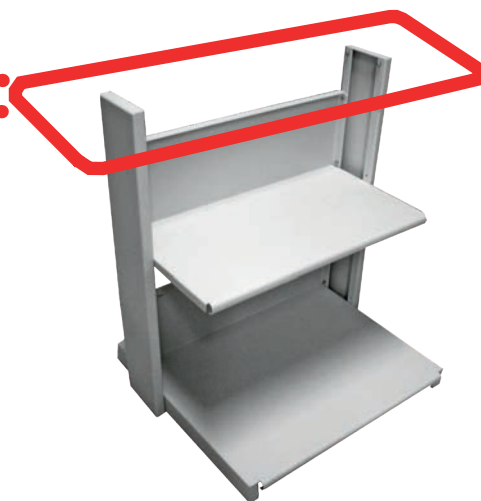
**PRINTER STAND BOARD
PP806/9**



**PRINTER STAND BOARD
PP404/5**



**PRINTER STAND BOARD
PP407/8**



ORDER NUMBER:

8707-241-90502

8707-251-90504

8707-340-90523

PRINTER STAND PP404/5 NEW

PRINTER STAND PP407/8 NEW

PRINTER STAND PP806/9 NEW

PRINTER STAND PP 803

For PP 803 exists a complete stand.

Dimensions:

H=740 mm
W= 470 mm
D= 450 mm



PRINTER STAND PP 204

Dimensions:

H=270 mm
W= 410 mm
D= 390 mm



ORDER NUMBER:

8707-330-90502

PRINTER STAND PP803

8707-204-90501

PRINTER STAND PP204

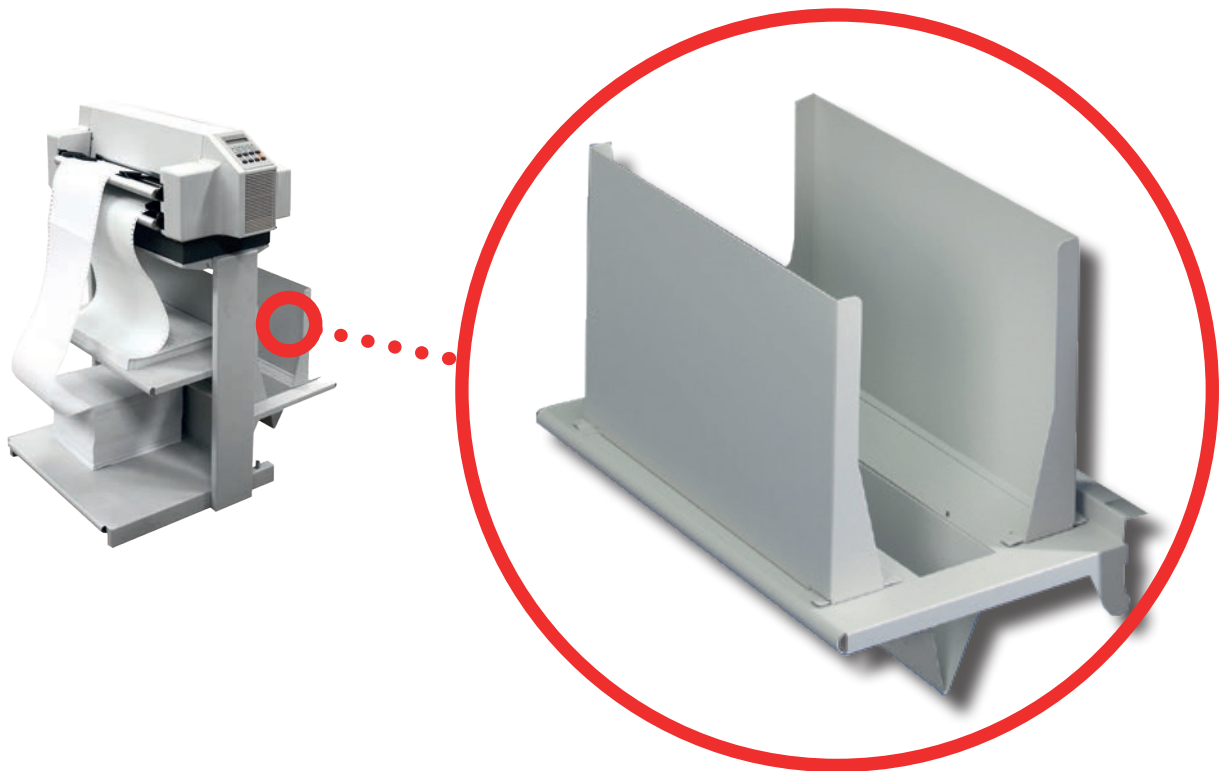
PAPER STACKERS, FEEDERS AND TRAYS

ENDLESS PAPER STORAGE



STACKER OPTION

For the proper storage of continuous or single sheet printed papers or cut sections optional paper filing systems for all printer stands are available.



ORDER NUMBER:

8707-340-90513

STACKER OPTION 40X/PP806/809

8707-330-90503

STACKER OPTION PP803



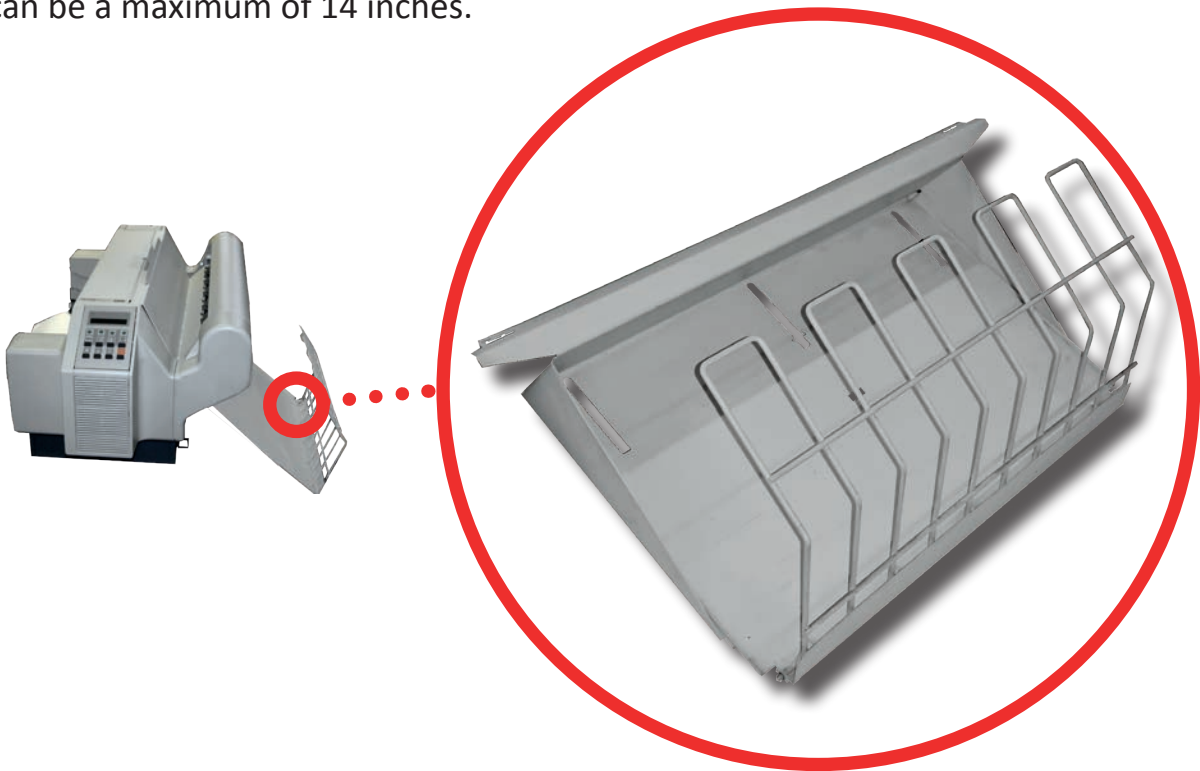
SINGLE PAPER STORAGE

Cut sheet trays provide filing of printed cut endless paper or single sheets.

They are available for PP 408 to stack on rear side alternativ to the output on top. For PP 803/6 there are 2 trays for front or rear side available. By use of front trays the upper tractor cannot be used.

CUT SHEET TRAY PP408

The Cut Sheet Tray PP 408 simplifies the removal of single-cut pages. The absorption capacity depends on the paper thickness used and is e.g. at 80 g / m² paper 450 pages. The paper length can be a maximum of 14 inches.



ORDER NUMBER:

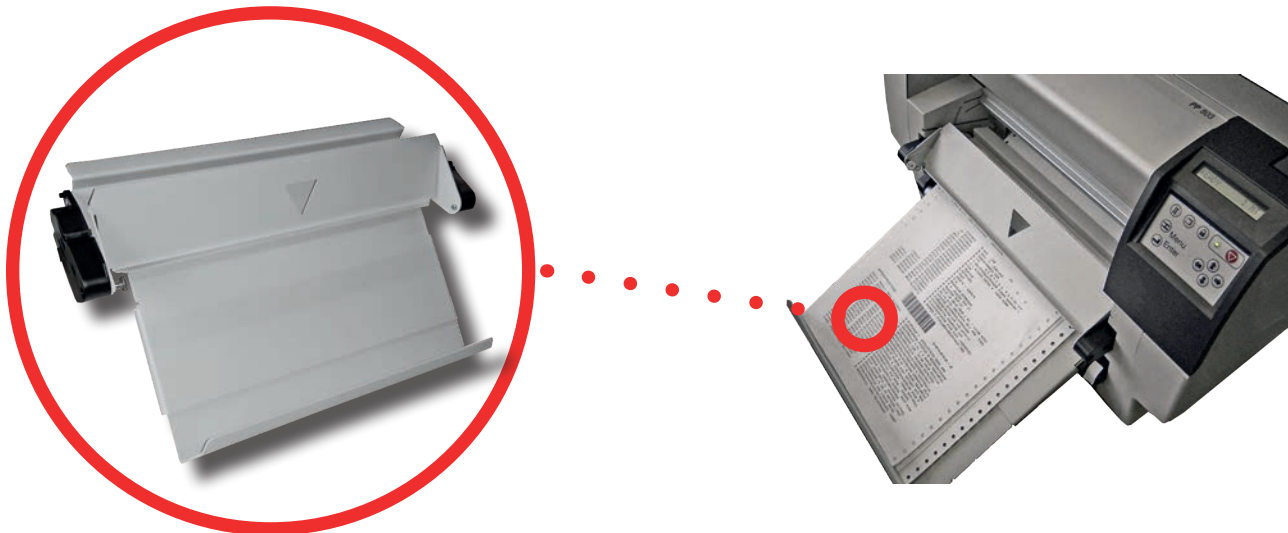
8707-250-90512

CUT SHEET TRAY 408



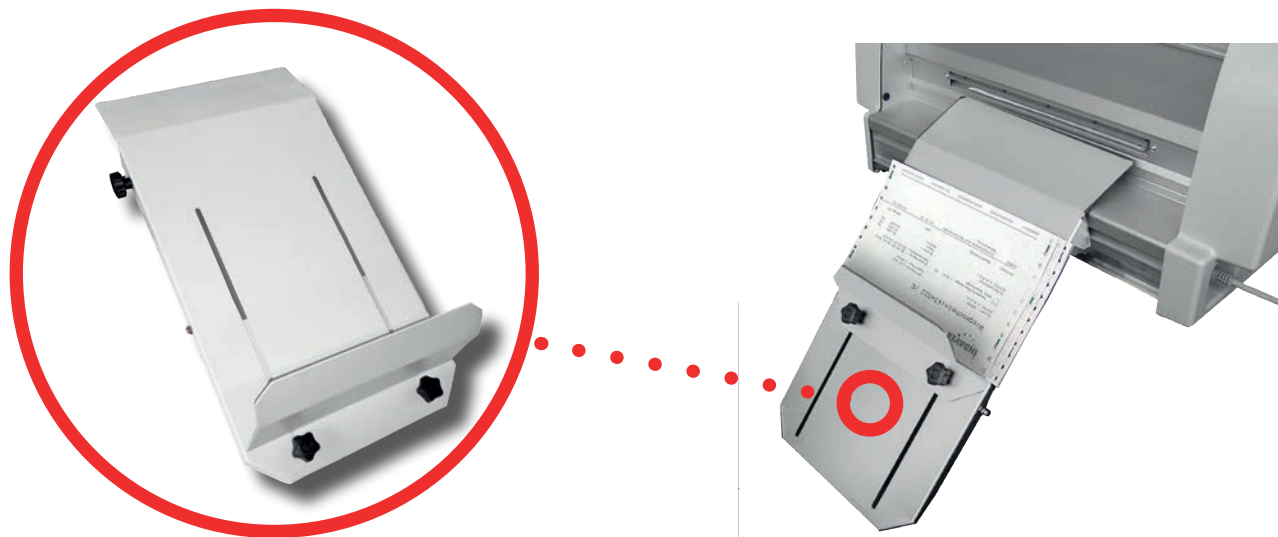
CUT SHEET TRAY FRONT PP 803 / PP 806

The Cut Sheet Tray FRONT for PP 803/806 simplifies the removal of cut sheets or cut sections or pages. The storage capacity depends on the paper used and is e.g. at 80 g / m² paper 150 pages. For front storage, the upper tractor can not be used because it is inserted into the upper tractor holders.



CUT SHEET TRAY REAR PP 803 / PP 806

The storage capacity depends on the paper used and is e.g. at 80 g / m² paper 250 pages.



ORDER NUMBER:

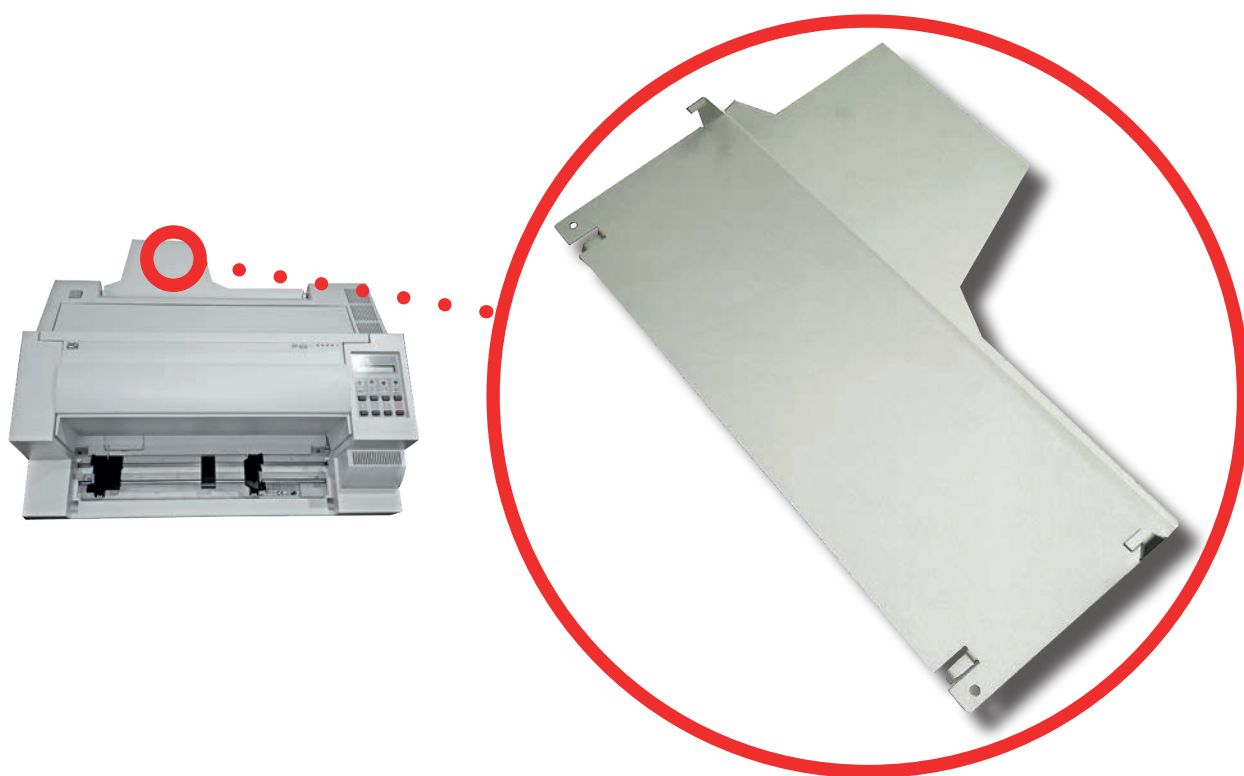
8707-330-90505 CUT SHEET TRAY FRONT 12 INCH PP803
8707-340-90511 CUT SHEET TRAY FRONT PP806

8707-250-90512 CUT SHEET TRAY REAR 806



PAPER EXIT GUIDE PP 404

The Paper Guide PP 404 simplifies paper tear off process. The printed paper is guided for easy removal manually on the tear off edge.



ORDER NUMBER:

8707-234-90502 PAPIERFÜHRUNG PP 404

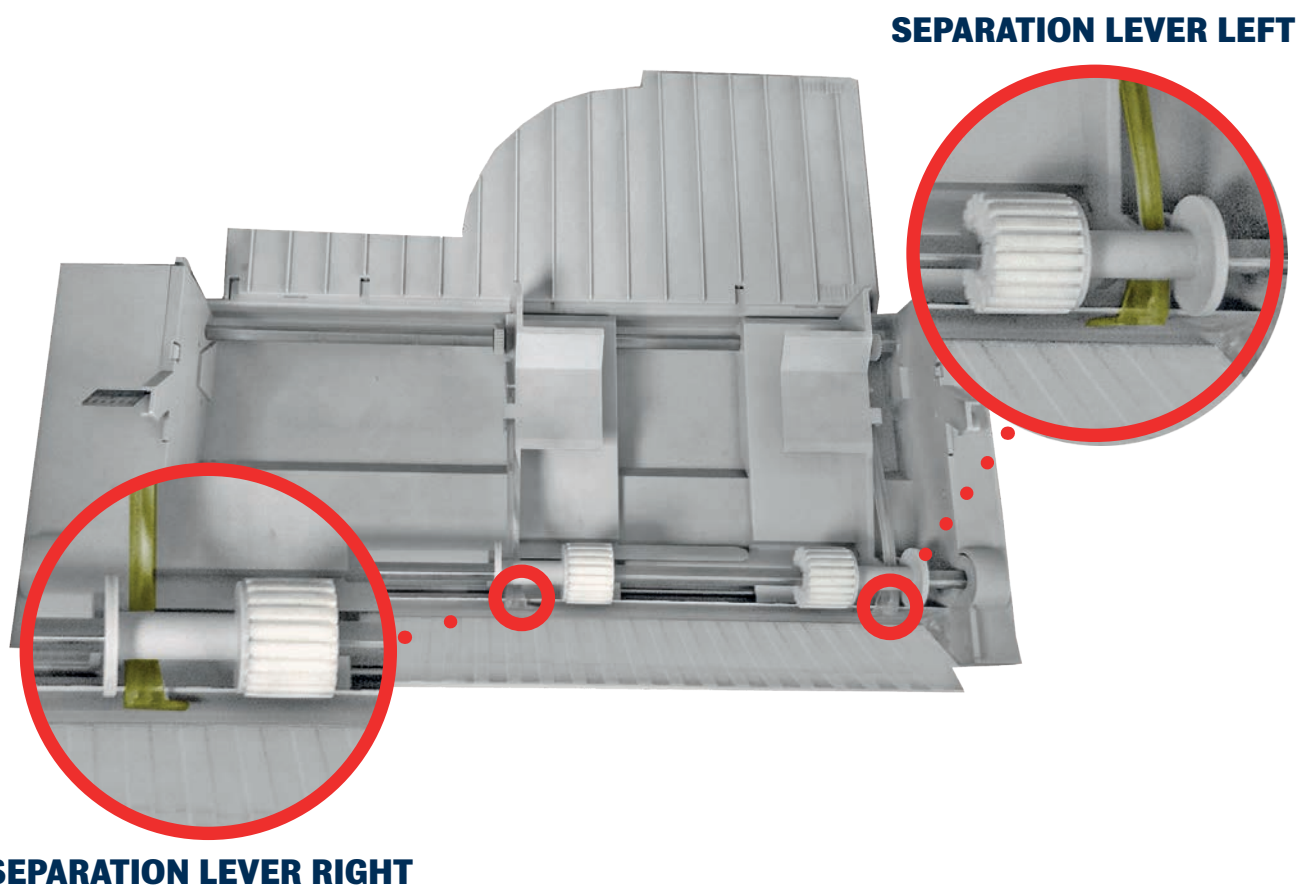


Auto Sheet Feeder (ASF)

These options allow up to three different ASF-Cassettes (Automatic Sheet Feeder) to be mounted onto printer PP 405 or PP 806 if in addition from efficient fanfold paper processing - flexible printing of single sheets or form sets is required.

ASF CASSETTE A

The ASF cassette A is the solution for the printing of single sheets, like delivery notes, invoices. The paper should be point-glued form sets with up to six copies. Depending on the paper weight, up to 180 sheets can be fed. The paper will be separated by a separation lever.



ORDER NUMBER:

8707-240-91821

ASF-CASSETTE A1

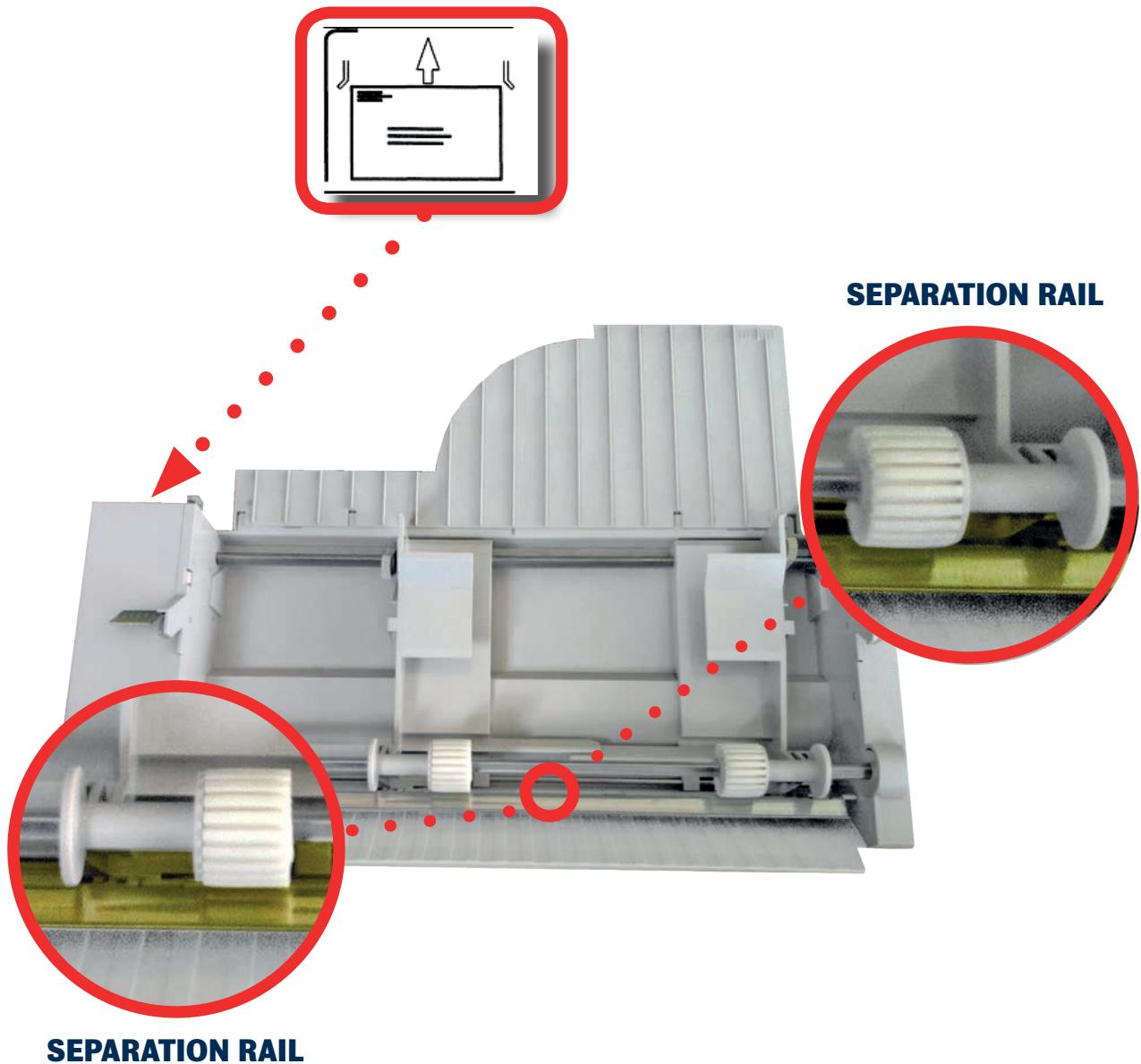
8707-340-90508

ASF-CASSETTE A2



ASF CASSETTE B

The ASF Cassette B reliably feeds envelopes, single-sheet cartons and head-glued sets of forms up to 300 g/m². The capacity is for example, with envelopes of 70 g / m² at 40 pieces. The paper will be separated by metal rail (120 ° angled SEPARATION RAIL). The cassette is marked with an envelope symbol on the housing.



ORDER NUMBER:

8707-240-91829

ASF-CASSETTE B1

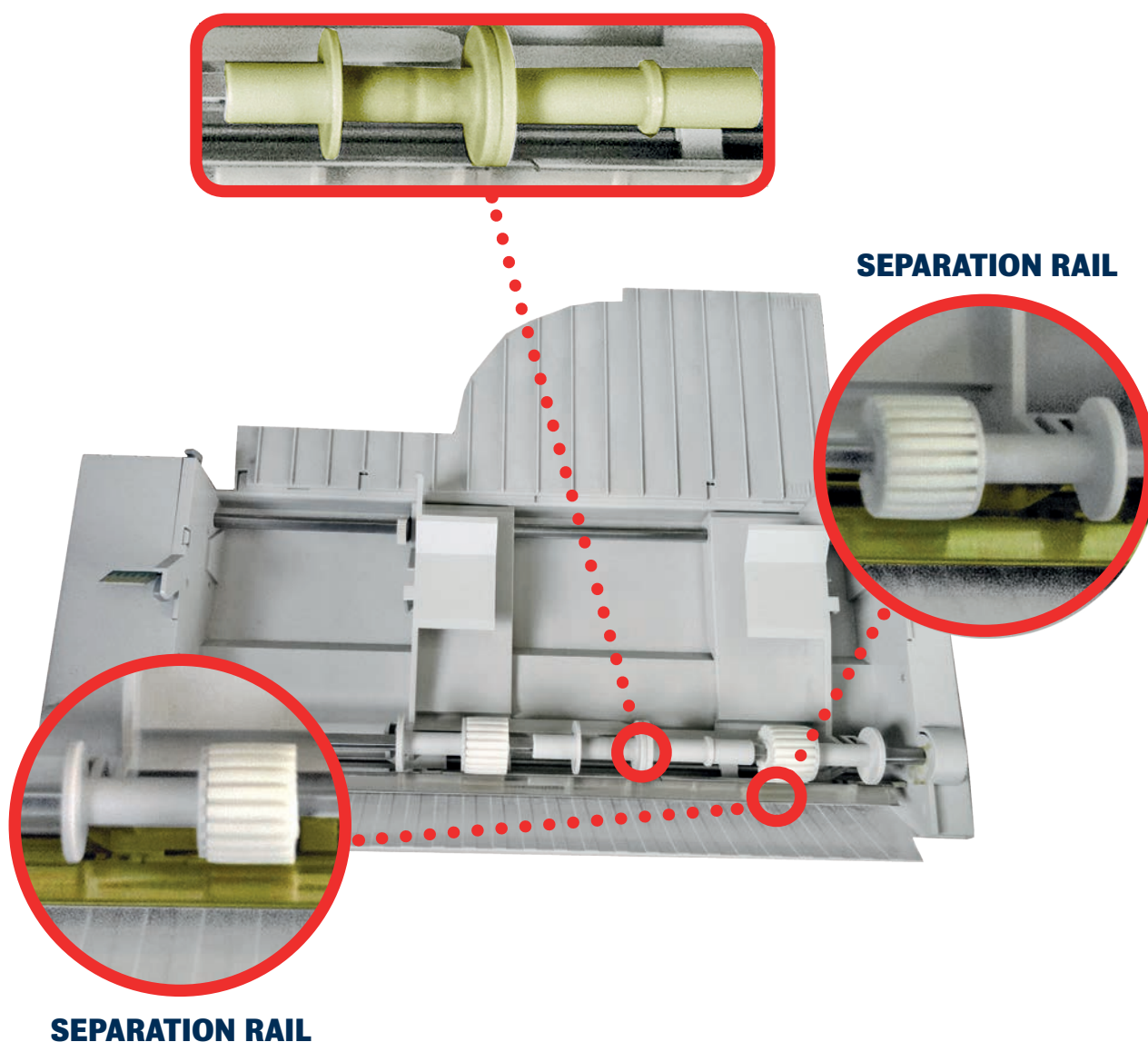
8707-340-90509

ASF-CASSETTE B2



ASF CASSETTE C

The ASF cassette C is the specialist for heavy paper. Cartonized single sheets or envelopes up to 300 g/m² and even documents with center folding (eg work accompanying cards) are no problem. The paper is separated by metal rail (136 ° angled SEPARATION RAIL). The cassette is equipped with 2 additional rubber pressure rollers, which press the paper down in the middle.



ORDER NUMBER:

8707-240-91824

ASF-CASSETTE C

MANUAL SHEET FEEDER

The solution when, in addition to efficient continuous forms processing, printing of individual forms or form sets is required.

MANUAL SHEET FEEDER PP 404 / PP 405

This option for PP 404 and PP 405 enables more accurate guide of manual single sheets, assuring a secure feeding. It is especially recommended if multiple feeders (ASF cassettes) are installed, since it also serves as an extension.



ORDER NUMBER:

8709-002-70401 S/HF04 MANUAL SHEET FEEDER PP404/5



MANUAL SHEET FEEDER PP 803

This option for PP 803 allows manual feed of cut sheet papers or forms. Depending on the setting, the material can be returned to the feeder or to the rear.



ORDER NUMBER:

8709-330-90507

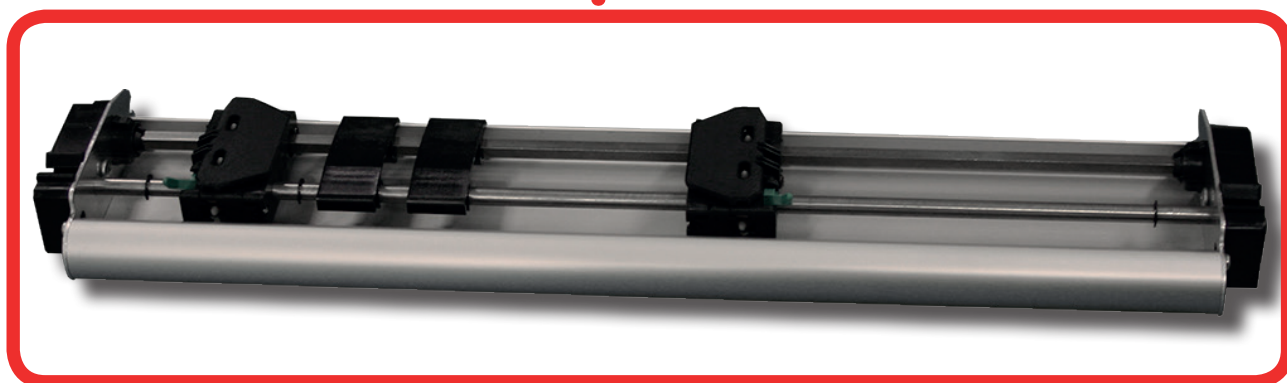
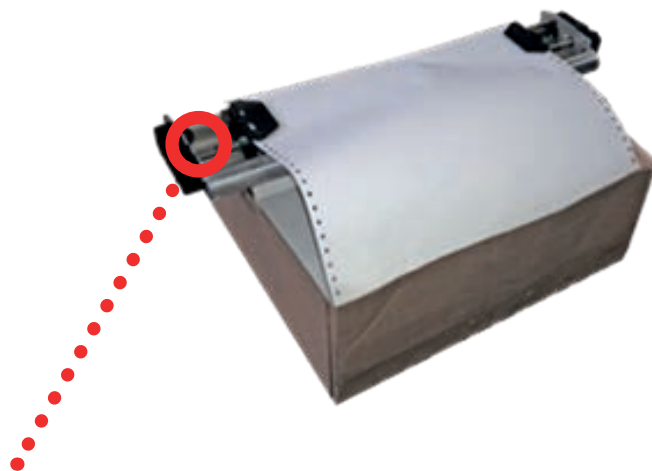
MANUAL FRONT INSERTION PP803



CONTINUOUS FORMS INJECTIONS

Additional tractor cassettes make paper handling easier. The paper can be preloaded on the paper stack and fed to the tractor cassette especially at different predefined left margins.

TRACTOR CASSETTE PP 407 / PP 408



ORDER NUMBER:

8707-251-90501

TRAKTORKASSETTE PP 407 / 408



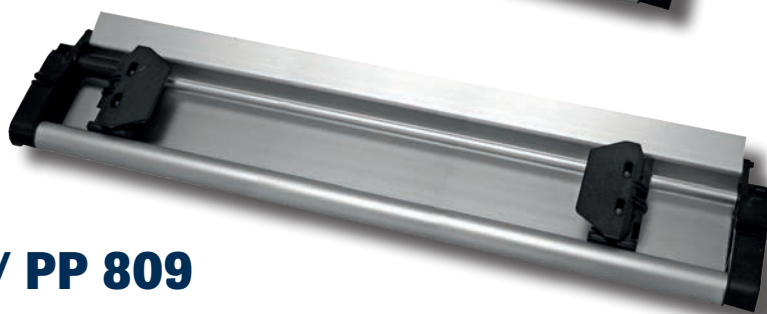
 **TRACTOR CASSETTE PP 803 / PP 806 / PP 809**



PP 803



PP 806 / PP 809



ORDER NUMBER:

8707-330-90501 TRAKTORKASSETTE PP 803

8707-340-90501 TRAKTORKASSETTE PP 806/ PP 809



NOISE REDUCTION

Dot matrix printers produce because of their needle strokes on the pressure rollers or pressure bars natural sound waves. This pressure noise level mainly depends on the construction of the printer and the printed characters.

Capsuled housing forms such as the PP40x series have less sound emission to the outside than the open housing of the PP 80x series, which provides much easier access to the mechanism and thus facilitate easier removal of paper jams and reduction of service times.

Uniform character patterns produce a more constant sound while character shapes produce a broader band of different sound waves. Last but not least, the paper used has very strong influence on the generation of sound and the sound transport outwards.

To reduce the sound of the Dot Matrix Printers effectively, the use of sound-absorbing covers or cabinets are recommended. For smooth operation of the printer these are specifically designed for PSi printer families PP 40x and PP 80x. Beside a sufficient power feed and heat dissipation the paper transport should not be affected in anyway. Feeding and stacking of the paper must, even when using a sound absorption work without interferences.



PP 40X / PP 80X SERIES

For the family PP40x and PP 80 x PSi Matrix offers specially developed sound covers and cabinets. These are tailored to the specific printer type. They ensure a drastic reduction of the noise level up to 14 dB (A).

Secondly, they protect the printer against dust, aerosols and other environmental influences. A sufficient heat dissipation is ensured under all circumstances.

All sound cover and cabinets support poor fanfold applications. A transparent lid with gas springs for easy opening provides the optical control of the printer and a simple glance at the display.

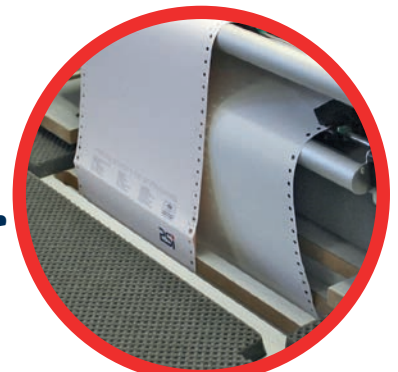
The sound covers are designed for desktop use or for mounting on a PSi printer stand. The mounting material for attachment to the printer stand is included in the sound cover.

SOUND COVER PP 404 / 405 / 407

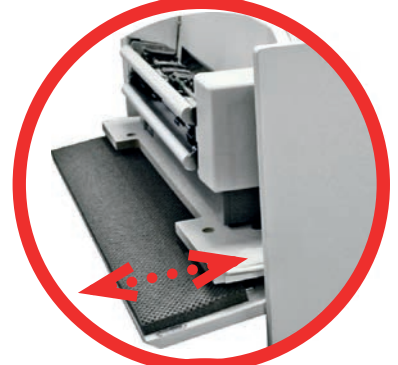
- Attenuation up to 10 dB (A)
- Professional design
- 2 feed slots for paper
- Paper tear-off bar
- Retractable base plate
- Only continuous processing possible
- Installed on the printer stand
- Slots for system connections



2 feed slots for continuous paper



Retractable base plate for ribbon replacement



Tear-off edge on the cover exit



ORDER NUMBER:

8709-002-60302 Sound Cover S/SC 03 PP404/405 fanfold / 407





SOUND COVER PP 803

- Attenuation up to 10 dB (A)
- Professional design
- 2 feed slots for paper
- Paper tear-off bar
- Retractable base plate
- Cutting possible
- Only continuous processing possible
- Installed on the printer stand
- Slots for system connections



2 feed slots for continuous paper



Retractable base plate for ribbon replacement



Tear-off edge on the cover exit



ORDER NUMBER:

8709-002-60502

Sound Cover S/SC 05 PP803



SOUND COVER PP 806 / PP 809

- Attenuation up to 10 dB (A)
- Professional design
- 2 feed slots for paper
- Paper tear-off bar
- Retractable base plate
- Only continuous processing possible
- Installed on the printer stand
- Slots for system connections



2 feed slots for continuous paper



Retractable base plate for ribbon replacement



Tear-off edge on the cover exit



ORDER NUMBER:

8709-002-60602 SOUND COVER PP806/PP809 S/SC 06





SOUND CABINET PP 404 / PP 405 PP 407 / PP 408

- Attenuates up to 14 dB (A)
- Professional design
- Fully assembled delivery (no assembly on site)
- Supports continuous paper processing, also with 2 tractors
- Paper exit tray on the outside
- Integrated paper feeder with telescopic shelves under the printer
- Custors for easy transport (lockable)

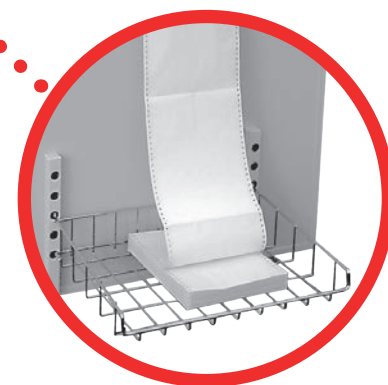


TELESCOPIC SHELVES



**LOCKING TRANSPORT
CUSTORS**

PAPER EXIT TRAY



ORDER NUMBER:

8709-002-61001 SCHALLDÄMM-SCHRANK PP404/405X S/SC10

8709-002-60901 SCHALLDÄMM-SCHRANK PP407/408 S/SC09





SOUND CABINET PP 803 /PP 806 / PP 809

- Attenuates up to 14 dB (A)
- Professional design
- Fully assembled delivery (no assembly on site)
- Supports continuous paper processing, also with 2 tractors
- Paper exit tray on the outside
- Integrated paper feeder with telescopic shelves under the printer
- Custor´s for easy transport (lockable)

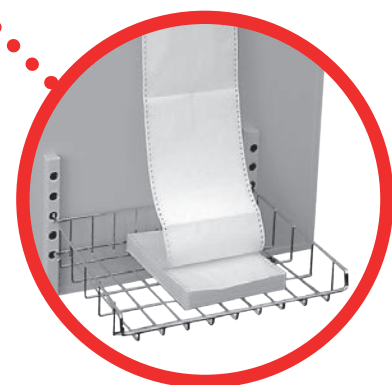


TELESCOPIC SHELVES



**LOCKING TRANSPORT
CUSTORS**

PAPER EXIT TRAY



ORDER NUMBER:

8709-002-60701 SCHALLDÄMM-SCHRANK PP803 S/SC 07

8709-002-60801 SCHALLDÄMM-SCHRANK PP806/809 S/SC 08



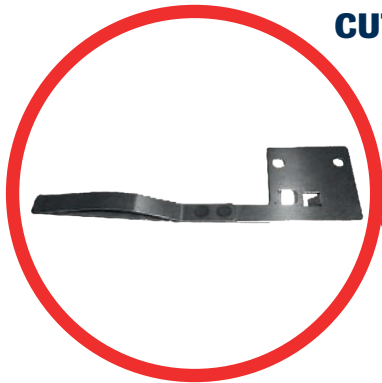
CUTTING DEVICE (CUTTER)

This function is the door opener for many applications where automatic cutting without manual interaction is required.

CUTTER UPGRADE PP 803

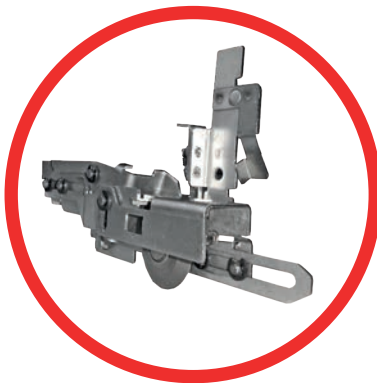
An integrated cutter extends the field applications of the PP 803 that need unattended and automatic cutting of fanfold paper. Automatic output of printed documents in form of weighing documents, labels, registration or job cards are easily possible.

- Integrated cutting device
- Cuts up to 8 copies
- 1 Mio. cuts live time
- Upgradeable as option

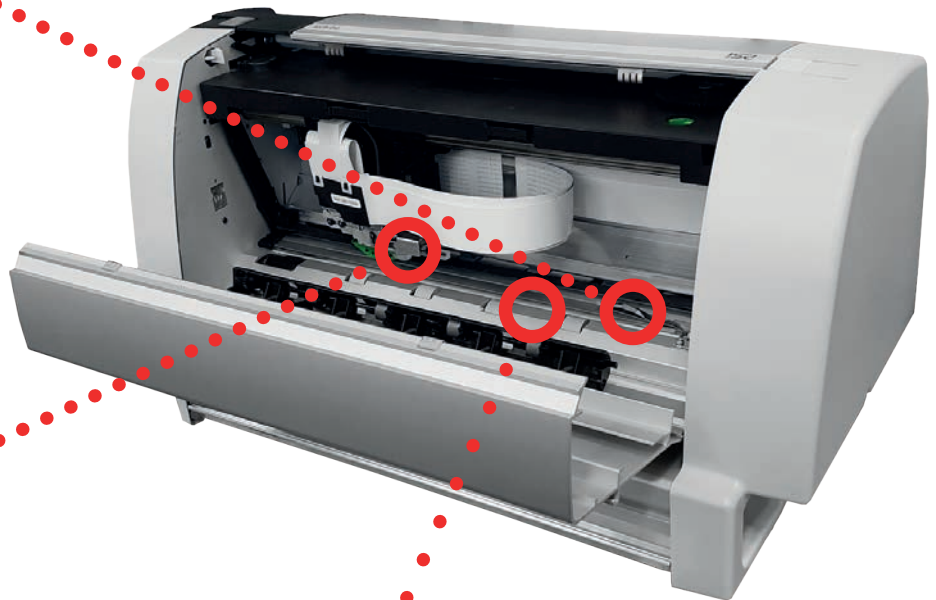


CUT HOLD DOWN

CUTTER



CUTTER BAR



ORDER NUMBER:

8707-330-90506

CUTTER UPGRADE PP803



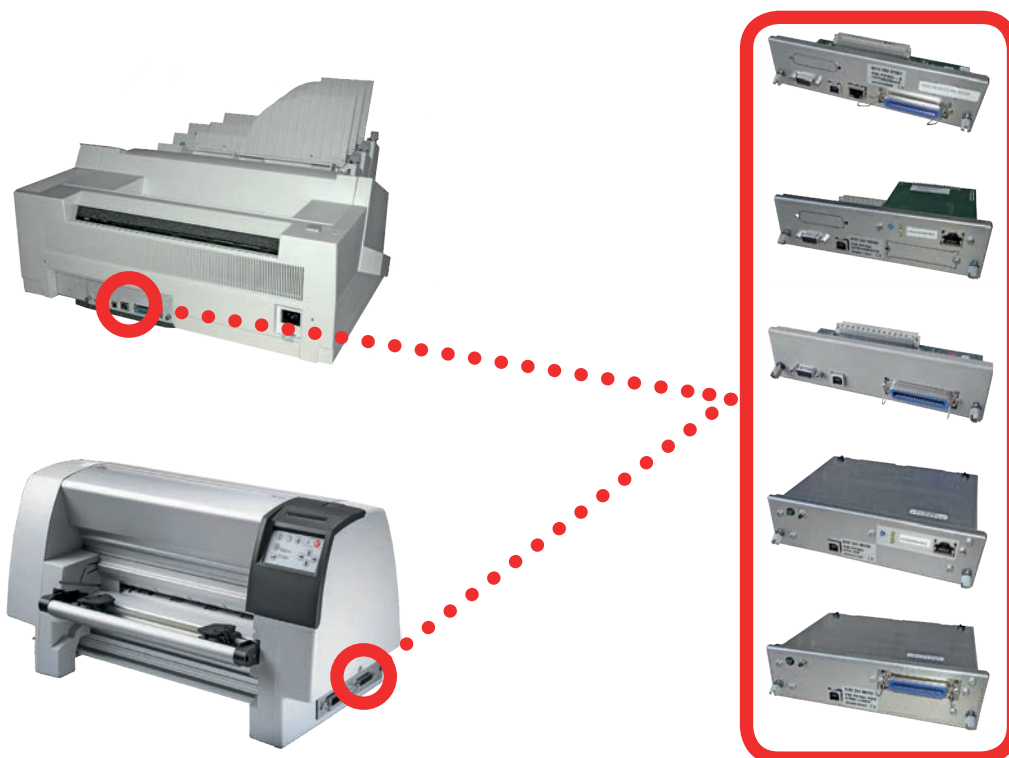
INTERFACE MODULES (PM) (PERSONALITY MODULES)

The PM consists of a metal box, which is inserted into the housing of the printer, so that the corresponding interfaces are fully integrated.

There exist interface modules for the PP 40x family and the PP 80x family. Within the family, the appropriate printer model automatically is recognized, and the specific printer parameters are loaded.

The Personality Modules provide the following advantages:

- Fully integrated interfaces without external boxes, extra cables or power supplies to improve operational reliability.
- Common interfaces for several models for easy service with less spare part variants.
- Versatile connectivity through constant expansion of PMs with new features.
- Migration options by user exchangeable new interfaces without large investments. Only the PM has to be changed, the basic printer remains the same. This results in a maximum flexibility for the user.
- All PSi Matrix interface modules have in addition to the basic emulation (HP, DEC, MT50 e.g.) always a standard IBM ProPrinter and Epson LQ emulation.



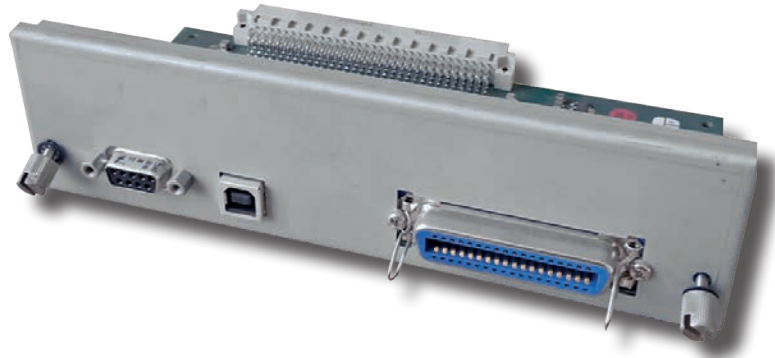
STANDARD INTERFACE SERIAL / PARALLEL USB (only PP 40X)

The combination of serial, parallel and USB (PP 40x only) interface is the standard Personality Module always in combination of all interfaces. These interface modules are equipped with the industrial standard emulations IBM ProPrinter and Epson LQ.

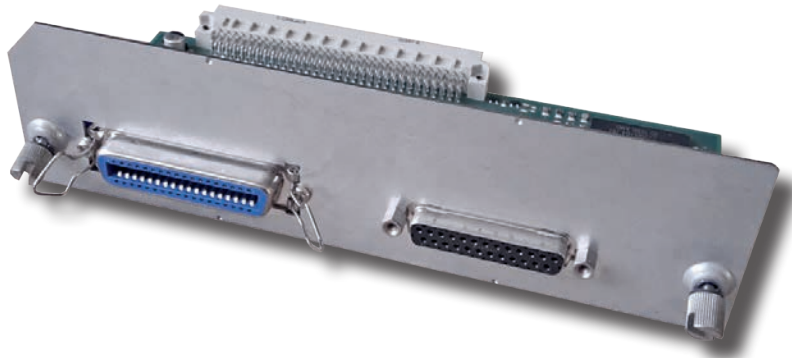
Sie erfüllen folgende Standards:

- Parallel Centronics, (PP 40x, PP 80x)
- USB 2.0 (PP 40x)
- Seriell RS-232/RS422 (PP40x=9 Pin/ HP=25 Pin) und (PP 80x=25 Pin)

PM SER/PAR/USB PP40X



PM SER/PAR PP80X



ORDER NUMBER:

8707-241-90101 PM SER/PAR/USB PP40x

8707-340-90106 PM SER/PAR PP803/806/809



SYSTEM-INTERFACES

LAN ETHERNET 10/100 INTERFACE

The connection to the Ethernet interface to integrate the PSi printer directly to LAN is provide by these PMs. They support the transmission rates 10 and 100 Mbit / s and the following network structures. These interface modules are equipped with the industrial standard emulations IBM ProPrinter and Epson LQ.

Socket Printing / Raw TCP, LPR/LPD Printing, IPP v1.1 Printing, AppleTalk Printing, HTTP printing, ThinPrint Printing, ThinPrint SSL Printing, FTP Printing, NetBIOS Printing, Novell iPrint (LPR and IPP), NDPS Printing (IP/IPX), Bindery Printing, R/N Printing, Ethernet 10/ 100 Network connection - RJ45

PM SER/USB/ETH PP40X



PM SER/ETH PP80X



Info: These PMs can be connected to an AS400 as a device description run under the SNMP protocol and thus represent a favorable alternative to the PM-IPDS.

ORDER NUMBER:

8707-241-90102 PM SER/USB/ETH PP40x

8707-340-90109 PM ETH 10/100 MB/S PP803/806/809



PRINTER NETWORK SERVICE (PNS) INTERFACE (PP 40X)

Beside others the PNS-PM allows the user to connect the printer to the Ethernet according to the Ethernet 10/100 standard. The total configuration and administration of the printer inclusive macro definitions can be displayed and modified via web browser. This interface module is equipped with the industrial standard emulations IBM ProPrinter and Epson LQ.

Ethernet 10/ 100 Network Connection - RJ45, IP, Subnet Mask and Gateway-Setup via Operator panel, static or DHCP IP, Socket Printing / RAW TCP, LPR/LPD Printing

PM SER/PAR/USB/ETH PP40X



Info: These PMs can be connected to an AS400 as a Remote-Queue printer.

ORDER NUMBER:

8707-241-90119 PM SER/PAR/USB/ETH PP40x



IPDS ETHERNET INTERFACE

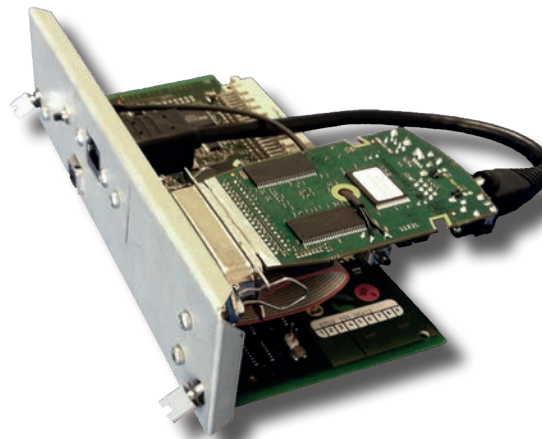
PrintGuide™ is a registered trademarks of MPI Tech
HP Web Jetadmin is a Hewlett Packard software product

Function:

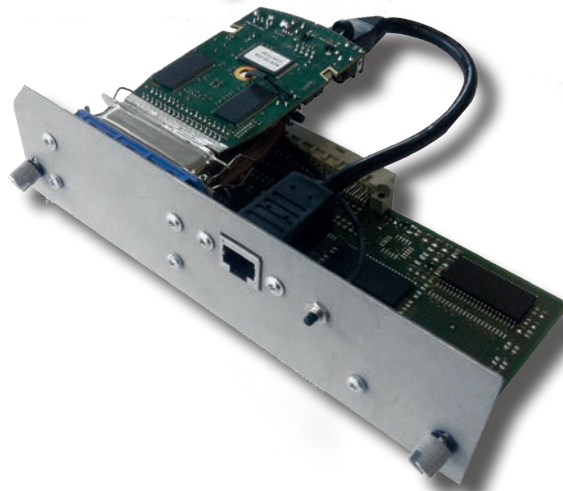
Multisession / multi-protocol support, dynamic PC printer sharing, Pre, Post and character replacement (String Change), Firmware upgradeable via Print Guide™, password protection. SCS / DCA MPI Tech FSL Facility, advanced fonts, variable page sizes, automatic page orientation, generation of paper sizes, internal barcode generation, MPI Tech PSS / EPM AFP Software Support.

IPDS Function: Full IPDS support, 2D barcode, exact page application, offset functions. IBM 4247 Fonts, downloadable Fonts IPDS. IBM 4247 compatible, SCS / DCA-Support with TN3270/5250 and FSL support. Plug'n Print, supports IPP (Internet Printing Protocol), Printer Management Webbrowser, PrintGuide™ and HP Web Jetadmin.

 **PM ETH IPDS PP40X**



 **PM ETH IPDS PP80X**



ORDER NUMBER:

8707-241-90124 PM IPDS Ethernet M PP40x

8707-340-90150 PM IPDS ETH M PP80x



IGP (PRINTRONIX ® 10/20/40) INTERFACE

IGP and Printronix are registered trademarks of Printronix, Inc.

The PM PAR IGP (Personality Module parallel with Integrated Graphic Processor) is equipped with either a parallel interface or an Ethernet interface.

One of the industrial printer language is IGP. An emulation for efficient processing of graphics: boxes, lines, variable barcodes, rotated characters, logos, reverse printing "white on black" - all this is possible in a very fast print speed, but only a low data rate is required.

Traditionally, especially line printer would be used IGP. However, an interesting alternative is that of matrix printers, since they allow the user to print high quality and above all cost-effective at comparable speeds. The following PMs the use of PSi printers in these applications is no problem:

PART NO. (P) 8707 240 90108 	
QUANTITY (Q) 00345 	SPECIAL (C) U20 
SUPPLIER (V) DE-1265681 	PSi Matrix GmbH Homeswiese 116a 57258 Freudenberg
SERIAL (S) 001038 	

IGP INTERFACE PARALLEL SUPPORT

PM PAR/IGP PP40X



PM PAR/IGP PP80X



ORDER NUMBER:

8707-241-90108 PM PAR IGP PP40x

8707-340-90122 PM PAR IGP 80x



IGP INTERFACE ETHERNET SUPPORT

PM ETH/IGP PP40X



PM ETH/IGP PP80X



ORDER NUMBER:

8707-241-90109 PM ETH IGP PP40x

8707-340-90123 PM ETH 10/100 IGP 80x



STRING CHANGE EMULAION

PSi Matrix offers a Personality Module with a generic string change functionality. The background is to replace legacy printers without changing the host system environment. The string change module translates existing data streams to be printed into those that are compatible with the supported emulation of the printer.

The translation program can either be developed by our sale partner or can be ordered at PSi Matrix. It protects the investment of our distribution partners for the printer families PP 40x and PP 80x.

General: to change a string is to change an incoming string so that the output conforms to the printer the appropriate emulation.

Function: change control commands to delete or add, delete unwanted characters or chains from the data stream.

This is an incoming Text without any modification.

a, b, c
created by output Text-Module.



This is a modified incoming Text.

A, B, C
changed by String Change Module.

STRING CHANGE INTERFACE PARALLEL SUPPORT

PM PAR STRING CHANGE PP40X



PM PAR STRING CHANGE PP80X



ORDER NUMBER:

8707-241-90110 PM PAR STRING CHANGE PP40x

8707-340-90127 PM PAR STGCHG 80X MT50



STRING CHANGE INTERFACE ETHERNET SUPPORT

PM ETH STRING CHANGE PP40X



PM ETH STRING CHANGE PP80X



ORDER NUMBER:

8707-241-90111 PM ETH STRING CHANGE PP40x

8707-340-90128 PM ETH 10/100 STGCHG 80X MT50



PJL (PRINTER JOB LANGUAGE)

PJL (Printer Job Language) Emulation with Parallel or Ethernet Interface

PJL function: PJL was developed by Hewlett-Packard to mainly read the current status of the printer from host computers. Software programs can remotely control the printer via PJL. This is used for monitoring and acknowledgment of print jobs. PSi has implemented some of the most important commands to their dot matrix printer.

Implemented Status Codes and Display Messages

CODE	ENGLISH DISPLAY MESSAGE	GERMAN DISPLAY MESSAGE
10001	READY	BEREIT
10002	OFFLINE	STOP
40021	COVER OPEN	DECKEL OFFEN
40022	PAPER JAM	PAPIERSTAU
41000	LOAD TRACTOR	TRAKTOR LADEN
41100	LOAD BIN	KAS. LADEN
50000	HARDWARE ERROR	HARDWARE FEHLER

PJL INTERFACE WITH ETHERNET SUPPORT



PM USB/ETH PJL PP40X



PM ETH PJL PP80X (VARIANTS: WITH IGP OR STRING CHANGE)



ORDER NUMBER:

8707-241-90114	PM ETH/USB PJL STGCHG PP40x
8707-340-90142	PM ETH 10/100 MB/S PJL PP80x
8707-340-90143	PM ETH 10/100 MB/S PJL STGCHG PP80x
8707-340-90144	PM ETH 10/100 MB/S PJL IGP PP80x
8707-340-90145	PM ETH 10/100 MB/S PJL STGCHG IGP PP80x

