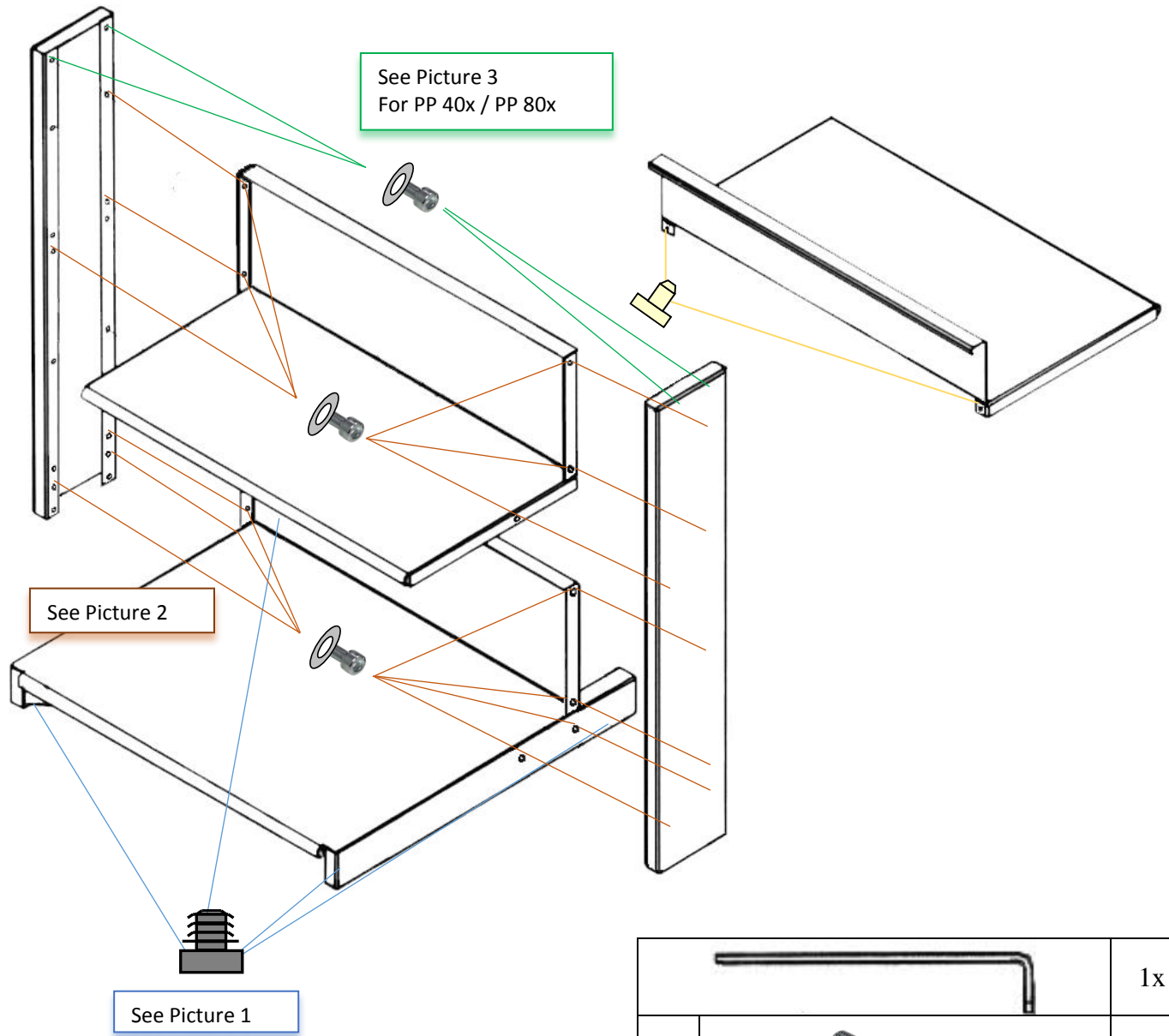


BASE Frame PP 803/6/9 PP 404/5/7/8 Installation Guide

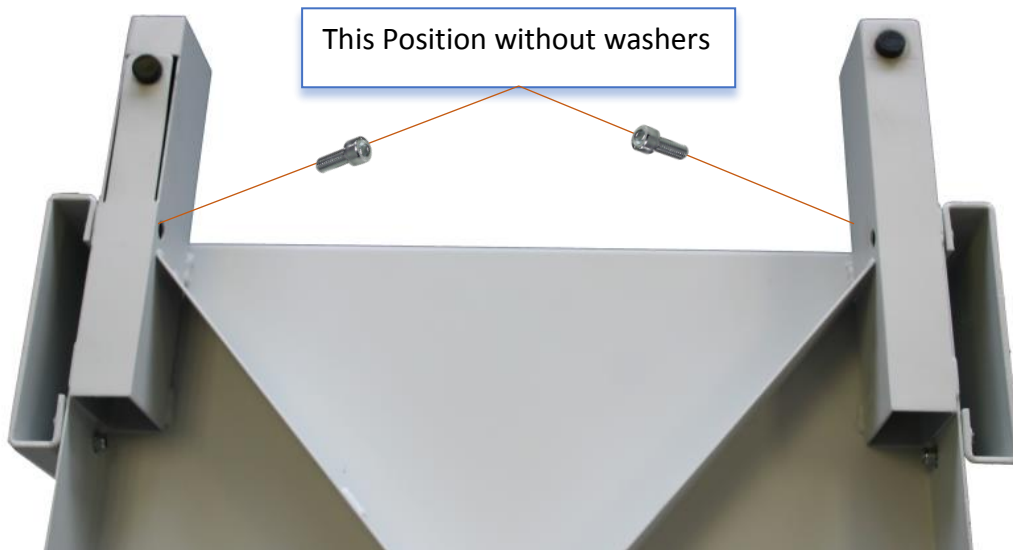


		1x
1	M5 x 8	18 x
2		18x
3		4x
4		2x

Picture 1

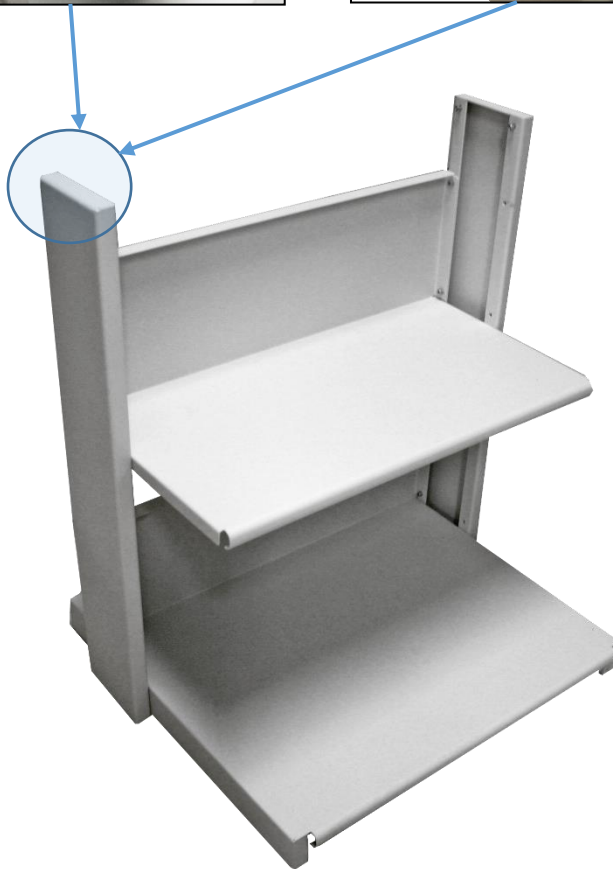
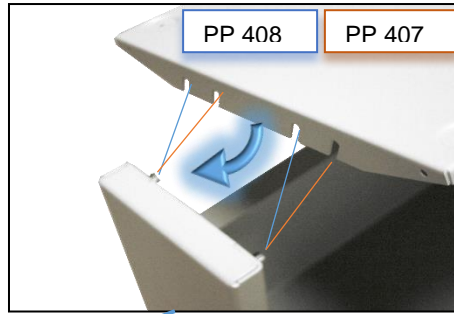
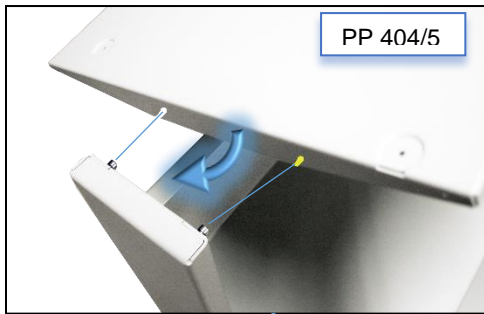


Picture 2



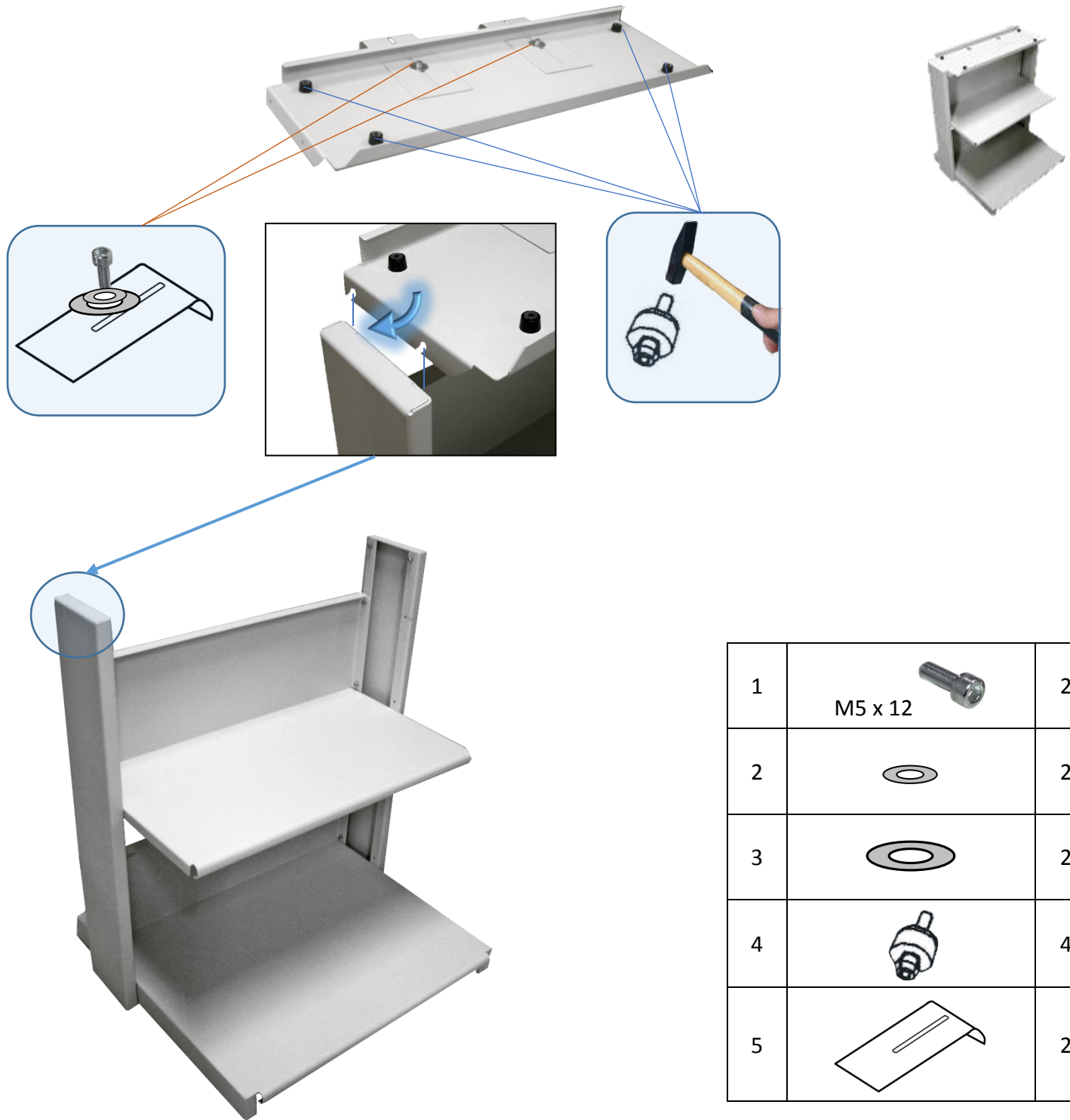
Installation of the PRINTER STAND BOARD for PP 404/5/7/8





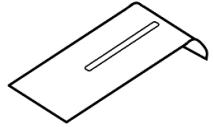
Picture 3



Installation of the PRINTER STAND BOARD for PP 803/6/9

Picture 3



1	M5 x 12 	2x
2		2x
3		2x
4		4x
5		2x